

Installation manual

M MOTORIZED TV LIFT LARGE

EAN: 7350073735969

(en) Installation Manual

(ar) تيوب لتعليق التلفزيون

(cz) Instalační manuál

(de) Installationsmanual

(de) Installationsanleitung

(es) Paigaldusjuhend

(el) Οδηγίες εγκατάστασης

(en) Manual de instalación

(fi) Asennusohje

(fr) Installation Manuel

(he) הנקתה יירדם

(hu) Szerelési kézikönyv

(it) Manuale di installazione

(jp) 取り付け説明書

(kr) 설치 설명서

(lt) Montavimo instrukcija

(lv) Uzstādīšanas rokasgrāmata

(nl) Installatie handleiding

(no) Installasjons håndbok

(pl) Instrukcja instalacji

(pt) Manual de instalação

(ro) Manual de instalare

(ru) Инструкция по установке

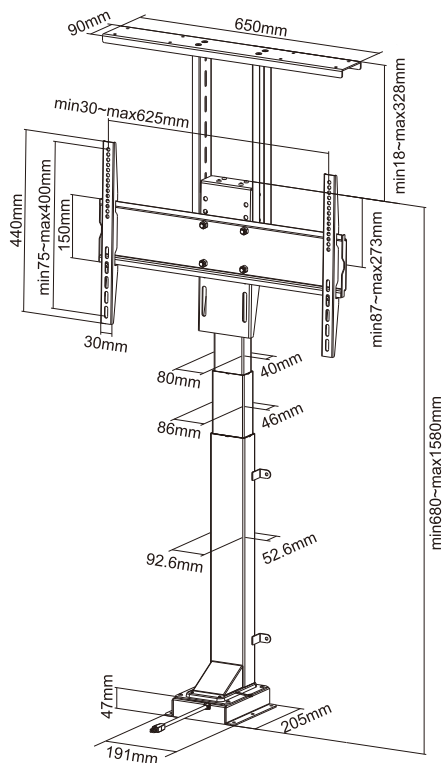
(sk) Inštaláčny manuál

(sl) Navodila za montažo

(sv) Installationsmanual

(tr) Montaj kılavuzu

(zh) 安装手册



en **IMPORTANT!**
Your Plasma, LCD, TV, Projector, Projector Screen or other HIFI equipment represents a considerable value.
If screws are included they may not be suitable for the material of your wall, ceiling or floor. Replace the screws with suitable ones if needed.
In case you are unsure regarding any aspects of the mounting of this product please Consult a professional.

no **VIKTIG!**
Din Plasma, LCD, TV, projektor, projektor skjerm eller annet HIFI-utstyr har betydelig verdi.
Hvis skruer følger med, er det ikke sikkert at de passer til materialet i vegg, taket eller gulvet. Bytt skruene i skruer som er egnet om nødvendig.
Hvis du er usikker når det gjelder montering av dette produktet, må du kontakte en profesjonell.

ar **مهم!**
جهاز البلازما أو التلفاز أو المشغل أو شاشة مشغل أو أي معدات أخرى من معدات HIFI تمثل قيمة كبيرة.
إذا كانت المسمار مرفقة مع المنتج، فقد لا تكون مناسبة للمادة التي يتكون منها الجدار أو السقف أو الأرضية.
استبدل المسمار بمسمار مناسب إذا لزم الأمر.
في حالة عدم اليقين بشأن أي جوانب تركيب هذا المنتج، يُرجى استشارة أخصائي.

pl **UWAGA!**
Monitor plazmowy, LCD, telewizor, projektor, ekran projekcyjny lub inny sprzęt HIFI stanowi znaczną wartość. Jeśli dołączono do niego śruby montażowe, mogą one być odpowiednio nie do materiału, z którego wykonano są dane ściany, sufit lub podłoga. W razie potrzeby należy je zastąpić odpowiednimi śrubami.
W razie jakichkolwiek wątpliwości dotyczących montażu tego urządzenia należy zasięgnąć porady u specjalisty.

cz **DŮLEŽITÉ!**
Váš plazmový nebo LCD televizor, projektor, plátno a další elektrotechnické vybavení je vysoké hodnotné.
Pokud jsou součástí balení produktů šrouby, zkontrolujte, zda jsou vhodné pro upevnění ke stěně, stropu nebo podlahě v místě instalace.
V případě, že nebudou přibalené šrouby vyhovovat, vyměňte je.
Pokud budete mít při montáži tohoto produktu pochyby, obraťte se na zkušeného odborníka.

pt **IMPORTANTE!**
O seu Plasma, LCD, TV, projetor, tela de projeção ou outro equipamento de HIFI representa o valor considerável.
Se os parafusos estão incluídos estes podem não ser adequados para o material da sua parede, teto ou chão.
Substitua os parafusos com os adequados, se necessário.
Em caso de dúvida sobre quaisquer aspectos da montagem deste produto, consulte um profissional.

da **VIGTIGT!**
Din plasmaskærm, LCD-skærm, tv, projektor, projektorsskærm eller andet HIFI-udstyr repræsenterer en betydelig værdi.
Hvis der medfølger skruer, passer de muligvis ikke til materialet i væggen, loftet eller gulvet. Udskift skruerne med passende skruer, hvis det er nødvendigt.
Hvis du er i tvivl om noget i forbindelse med monteringen af produktet, skal du kontakte en ekspert.

li **SVARIG!**
Jūsų Plasma, LCD, TV, projektor, projektoro ekranas yra cita HIFI įreiktaus veidit įreivąjams vertūbu.
Jei su parafusais skruves var būt nepatinkamos jūsiu sienū, griestu vai grūdas materiālam.
Nomainait skruves ar patinkamū skruvū, je nepieciešams.
Gadījumā, ja jūsi neatpātinātinā par jebkurūmu šo produktu montāzū uzstiprinājumu aspektūmu, lūdzū konsultēties ar speciālistu.

nl **BELANGRIJK!**
Uw Plasma, LCD TV, Projector, Projector scherm of andere HIFI-apparatuur vertegenwoordigt een aanzienlijke waarde.
Het kan zijn dat de bijgeleverde schroeven niet geschikt zijn voor uw toepassing. In dat geval dient u te verwagen door schroeven die wel geschikt zijn. Twijfelt u, raadpleeg dan een professional.

tr **SVARBUI!**
Jūsų plazminis HIFI, LCD, LED televizorius, projektorius, projektorius ekranas ar kita HIFI įranga turi didelę vertę.
Jei varžtai yra komplekte, jie gali netikti pas Jus naudodamiesi sieną, lubų ar grindų medžiagoms.
Pakeiskite varžtus į tinkamus, jei reikia.
Jei nesate tikrūs dėl kuro šio produkto montavimo aspektų, prašome kreiptis į profesionalus.

ee **TÄHTSI!**
Teie teler, projektor, projektor ekrani või muu HIFI seade on suure väärtusega.
Kui kiinitulud on komplektis paigalduskruvid, siis ei pruugi need sobida Teie seinale, lüe või põrandale materjaliga. Vajadusel vahetage kruvid sobivamate vastu.
Kui Te ei ole seadme paigaldamisest detailselt kindel, siis konsulteerige spetsialistiga.

ro **IMPORTANT!**
Plasma ta, LCD, TV, projector, ecran de proiectie sau alte echipamente HIFI reprezintă o valoare considerabilă.
În cazul în care suruburile sunt incluse ele nu pot fi potrivite pentru materialul peretelui dvs., tavan sau podea.
Remplăniți suruburile cu cele adecvate, dacă este necesar.
În cazul în care nu sunteți sigur cu privire la orice aspecte ale montării acestui produs vă rugăm să consultați un profesionist.

de **ACHTUNG!**
Ihr Plasma-, LCD-, TV-Gerät, Ihr Projektor, Ihre Leinwand oder sonstige HIFI-Ausrüstung stellen einen beträchtlichen Wert dar. Die möglicherweise im Lieferumfang enthaltenen Schrauben sind unter Umständen nicht für das Material Ihrer Wände, Decken oder Böden geeignet. Ersetzen Sie sie bei Bedarf durch geeignete Schrauben.
Wenn Sie bezüglich der Montage des Produkts unsicher sind, wenden Sie sich an einen Fachman

sv **VIKTIG!**
Din plasmaskärm, LCD-skärm, TV, projektor, projektorsskärm eller annan HIFI-trustning representerar ett ansenligt värde.
Om skruvar medföljer utrustningen är det inte säkert att de passar för materialet i väggen, taket eller golvet. Byt ut skruvarna mot lämpliga skruvar om så krävs. Kontakta en expert om du är osäker på något i samband med monteringen av produkten.

el **ΣΗΜΑΝΤΙΚΟ!**
Οι τηλεοράσεις, Plasma, LCD, ο κανονικός τηλεοπτικός, οι οθόνες προβολής ή άλλες συσκευές HIFI έχουν ένα αξιοσημείωτο αξία. Αν περιλαμβάνονται βίδες, ίσως να μην είναι κατάλληλες για το υλικό του τοίχου, του ταβανιού ή του ημιώστου. Αντικαταστήστε τις βίδες με κατάλληλες αν είναι απαραίτητο.
Στην περίπτωση που δεν είστε σίγουροι για κάποια όληματα σχετικά με την προεργασία αυτού του προϊόντος, παρακαλούμε συμβουλευτείτε έναν ειδικό.

uk **ВНИМАНИЕ!**
Кожом би обладнанням HIFI ви не польовувалися, будь то плазмовий, ЖК или стандартний телевізор, проектор или проекційний екран - все они представляють значительну цінність. Не завжди кріплення, призначені в комплекті, підходять к матеріалу ваших стін, стелі или пола. При необхідності замінити їх на более підходящіє.
Єсли у вас єсть який-либo сумніви относительно того, як кріпити дваний продукт, проконсультуйтеся у кваліфікованого спеціаліста.

es **IMPORTANT!**
Los equipos de plasma o LCD, las televisiones, proyectores y pantallas de proyección, así como otros equipos de alta fidelidad suponen una inversión considerable. Si incluyen tornillos, puede que no sean adecuados para el material del que están formados la pared, el techo o el suelo. Sustituya estos tornillos por otros más adecuados si es preciso.
Si no está seguro sobre cualquier aspecto del montaje de este producto, consulte a un profesional.

sk **DŮLEŽITÉ!**
Váš plazmový alebo LCD televizor, projektor, plátno a ďalšie elektrotechnické vybavenie je vysoké hodnotné.
Ak sú súčasťou balenia produktov skrutky, skontrolujte, či sú vhodné pre upevnenie k stene, stropu alebo podlahe v mieste inštalácie.
V prípade, že nebudú pribalené skrutky vyhovovať, vymeňte ich.
Pokiaľ budete mať pri montáži tohoto produktu pochyby, obraťte sa na skúseného odborníka.

fi **TÄRKEÄ!**
Plasma- tai nestekinäytönjot, televiisiovaru, projektorien ja niiden valokäyttöisten sekä muiden hifi-laitteiden arvo on huomattava. Laiteiden mukana toimitettavat ruuvit eivät välttämättä sovellu seinien, katon tai lattian materiaaliin. Korvas ne tarvittaessa sopivilla ruuveilla.
Mikäli olet epävarma mistä tahansa tämän tuotteen kiinnittämisestä liittyvästä seikasta, ota yhteyttä asiantuntijaan.

si **IMPORTANT!**
Vos akran plasma, LCD, televizijs, projecteurs, ekrans de projection ou autre matériel HIFI ont une valeur considérable. Les vis fournies peuvent ne pas être compatibles à la nature de vos murs, plafonds et sols. Remplacez-les par des vis adaptées.
Si vous avez des doutes quant au montage de ce produit, veuillez consulter un professionnel.

hu **FONTS!**
Plazma, LCD TV-d, projektorok, vetítváznak vagy egyéb műszaki berendezések tekintélyes értéket képviselnek. Ha a csavarokat tartalmazzák, akkor sem biztos, hogy alkalmas a berendezés, hogy falra, mennyezetre, vagy a padlóra rögzítsék. Cseréelj a csavarokat a megfelelőre, ha szükséges. Abban az esetben, ha nem biztos a termék beszerelési kapcsolatban, forduljon szakemberhez.

tr **ONEMLI!**
Plazma, LCD, TV, Projektor, Ekranylar veya diger HIFI cihazlar sin derence degerdirlir. Birlikten verilen vidalar duvar, tavan veya diseme tephizatiniz uygun olmayabilir. Gerektiginde vidalar uygun olanlara degistirin.
Bu ununim motu sozulleri ile ilgili sorularinizi olmusu halinde biz uzmandan yardim alin.

it **IMPORTANT!**
I vostri Plasma, LCD, TV, proiettori, schermi di proiezione o altri apparecchi HIFI rappresentano un notevole investimento. Le viti in dotazione potrebbero rivelarsi non adatte per il materiale della parete, del soffitto o del pavimento. Sostituitele quindi con viti più idonee in caso di necessità.
Nel caso riscontrate problemi nel montaggio di questo prodotto, consultate un tecnico specializzato.

zh **重要提示!**
您的等离子、LCD、TV、投影机、投影屏幕或其他 HIFI 设备都有不菲的价值。如果附带有螺钉，它们可能不适合的墙壁、天花板或地板。
如果需要，请换螺钉为适当的型号。
如果对本产品安装的任何方面有疑问，请咨询专业人员。

jp **重要!**
あなたのプラズマ、LCDは、テレビ、プロジェクタ、プロジェクタースクリーンまたは他の HIFI 装置は高価なものである可能性があります。
ネジが含まれている場合、彼らはあなたの壁、天井や床の材質に適していないかもしれませんが、必要に応じて適切なものでネジを取り付けます。
ケースでは、本製品の取り付けのいずれかの側面に關して不明な点があるプロに相談してください。

sv **SVARBUI!**
Jūsų plazminis HIFI, LCD, LED televizorius, projektorius, projektorius ekranas ar kita HIFI įranga turi didelę vertę.
Jei varžtai yra komplekte, jie gali netikti pas Jus naudodamiesi sieną, lubų ar grindų medžiagoms.
Pakeiskite varžtus į tinkamus, jei reikia.
Jei nesate tikrūs dėl kuro šio produkto montavimo aspektų, prašome kreiptis į profesionalus.

WARRANTY CARD

MULTIBRACKETS.COM

MULTIBRACKETS™ Limited Warranty
Multibrackets warrants its products to be free of defects in material and workmanship for the product's Warranty Period. The Warranty Period commences on the original purchase date of the product.

For warranty claims made during the Warranty Period, MULTIBRACKETS will replace any defective product part free of charge. Should a part on your Multibrackets product fail, please create an online case on www.multibrackets.com/support to make a warranty claim. We will await your documentation and then discuss the problem with you and once we confirm the product is under warranty, we will ship replacement parts to you. This Limited Warranty does not cover the costs of removing and replacing defective parts from your Multibrackets product. So, if your problem requires a repair technician, you must pay any labor charges.

outdoor use voids this Limited Warranty. The Limited Warranty for wall and ceiling mounts is void if the mount is moved from its initial installation. To the maximum extent permitted by applicable law, Multibrackets disclaims any other warranties, express or implied, including warranties of fitness for a particular purpose and warranties of merchantability. Multibrackets will not be liable for any damages whatsoever arising out of the use or inability to use its products, even if Multibrackets has been advised of the possibility of such damages. To the maximum extent permitted by applicable law, Multibrackets disclaims any responsibility for incidental or consequential damages.

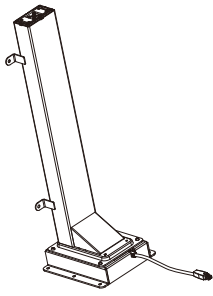
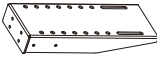

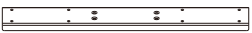
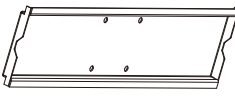

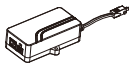
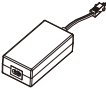













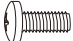

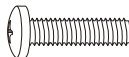
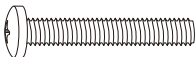


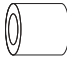
All Multibrackets products are covered by a limited product warranty.

This Limited Warranty extends only to the original purchaser of the product and is automatically void if your Multibrackets product is modified in any way, improperly installed, tampered beyond its stated weight capacity or otherwise misused or abused. All Multibrackets products are intended for indoor use only and any

Multiple damages are not covered by this warranty. Multibrackets™ Stockholm Sweden 2016. www.multibrackets.com

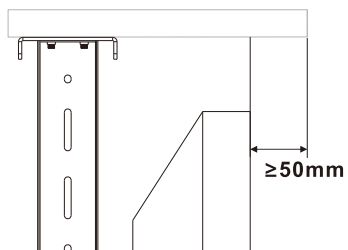
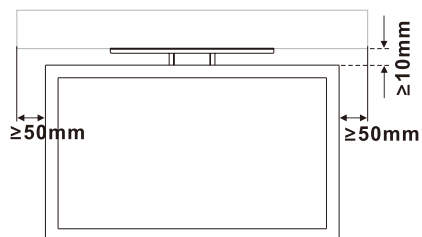
- **FIVE (5) years** for metal video monitor mounts, tall racks and non-electrical rack accessories
- **TWO (2) years** for gasfills and sit-stand workstations
- **ONE (1) year** for all motorized and/or automated products, plastic speaker mounts, all speaker stands, all furniture; all wood (MDF) accessories

The content of this manual is subject to change without further notice. The latest version of this manual can be found online under the product name on the website: www.multibrackets.com

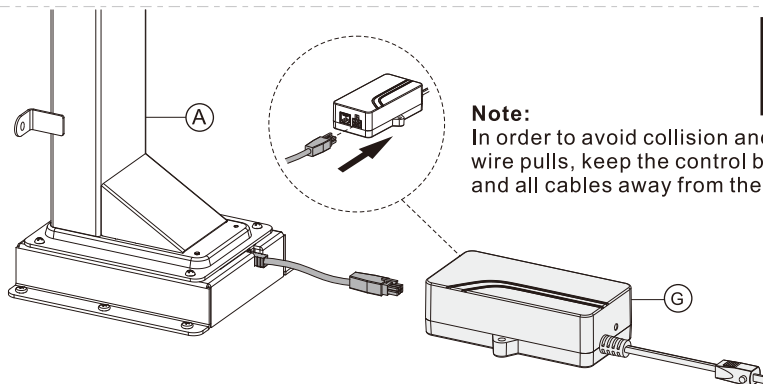
 <p>A (x1)</p>	 <p>B (x1)</p>	 <p>C (x2)</p>	 <p>D (x1)</p>			
	 <p>E (x1)</p>	 <p>F (x2)</p>		 <p>G (x1)</p>		
 <p>H (x1)</p>	 <p>I (x1)</p>	 <p>J (x20)</p>	 <p>K (x2)</p>	 <p>M6x10 (x4) L</p>	 <p>M6x12 (x8) M</p>	 <p>M10x20 (x4) N</p>
 <p>O (x4)</p>	 <p>4mm (x1) P</p>	 <p>6mm (x1) Q</p>	 <p>R (x1)</p>	 <p>S (x1)</p>		 <p>T (x1)</p>
 <p>M5x14 (x4) M-A</p>		 <p>M6x14 (x4) M-B</p>		 <p>M6x30 (x4) M-C</p>		
 <p>M8x30 (x4) M-D</p>			 <p>M8x50 (x4) M-E</p>			
 <p>M-F (x4)</p>		 <p>M-G (x8)</p>		 <p>M-H (x8)</p>		



Please prepare a proper cabinet before installation.

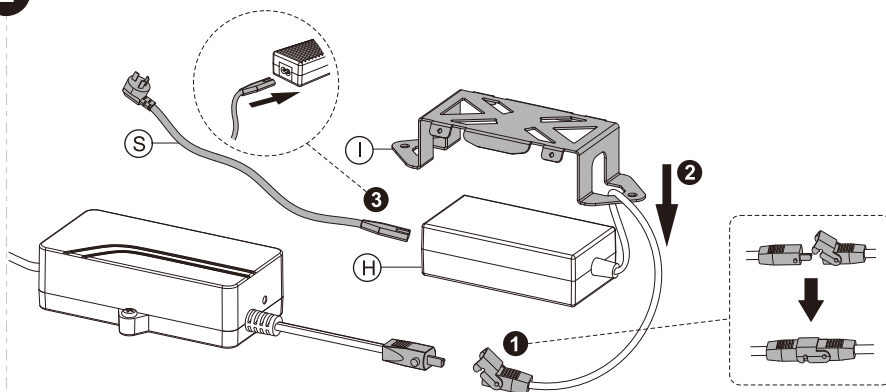


1

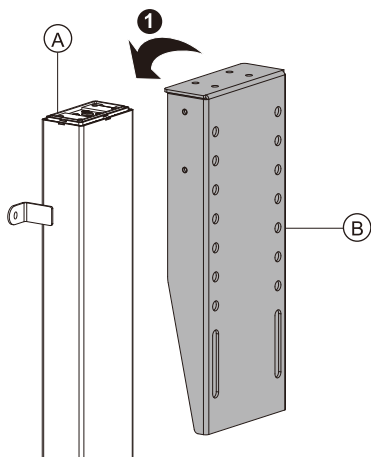
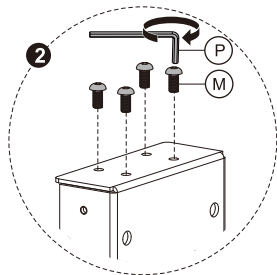


Note:
In order to avoid collision and wire pulls, keep the control box and all cables away from the TV lift.

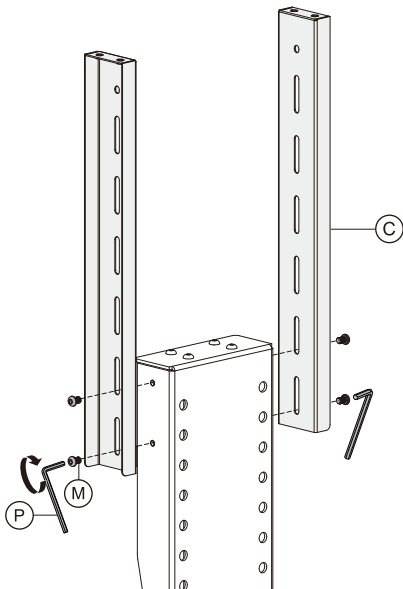
2



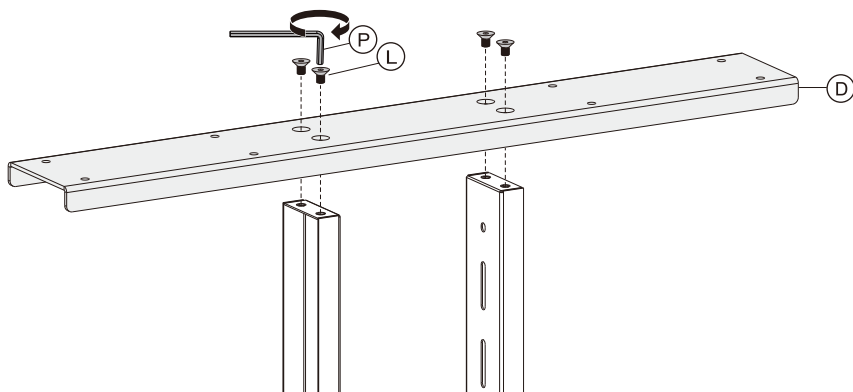
3



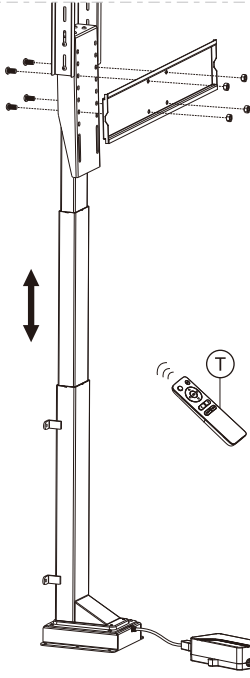
4



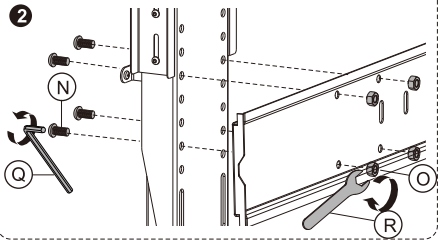
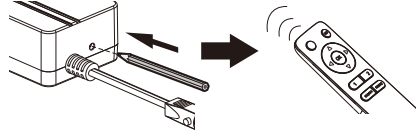
5



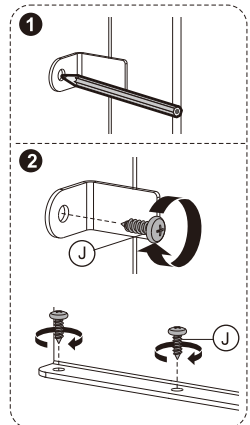
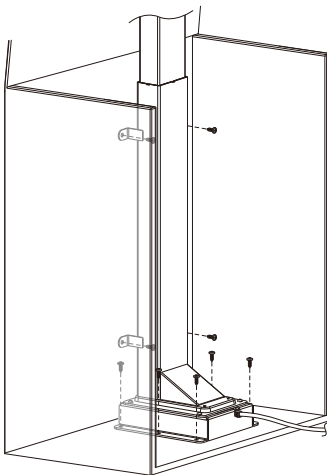
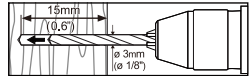
6



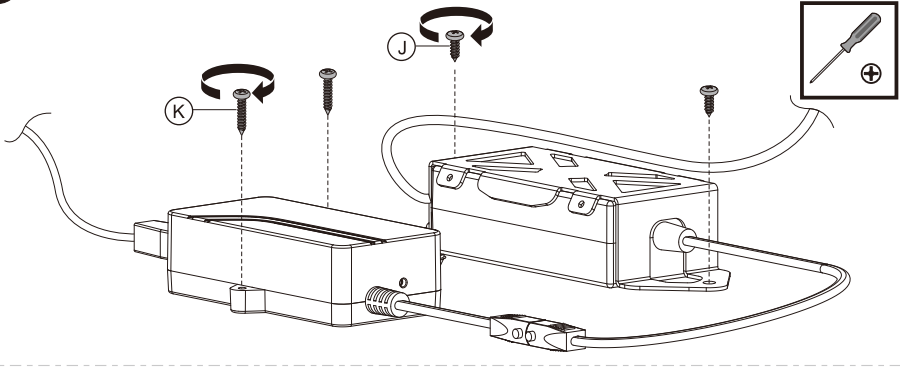
- 1** Note: Match the remote control to the control box for the first use. Instructions on Page 10.



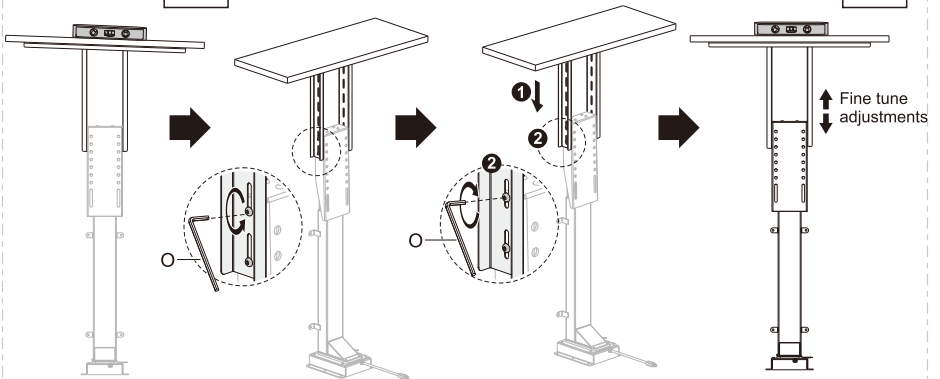
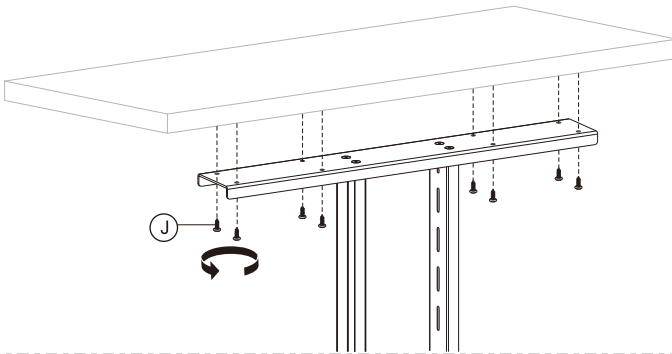
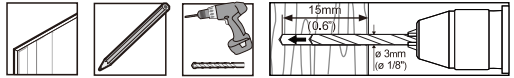
7

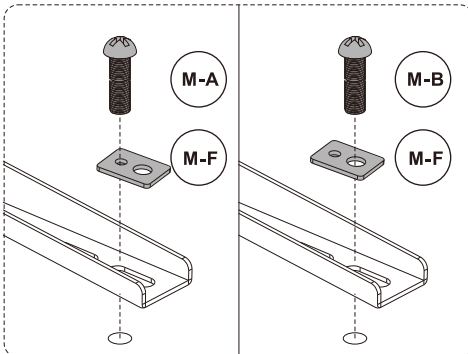
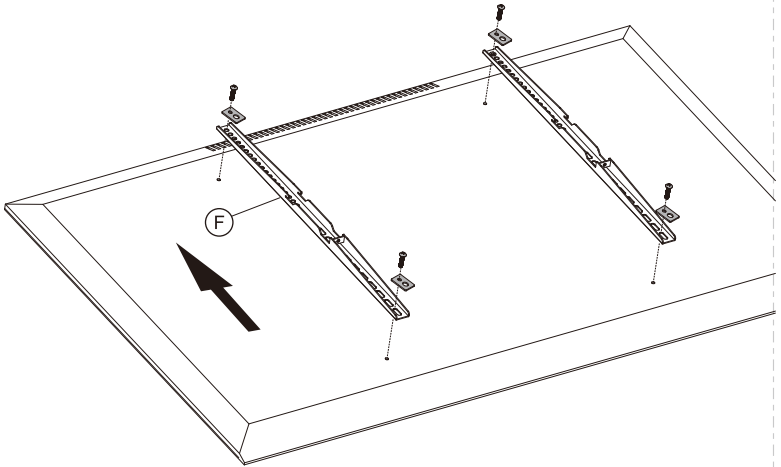


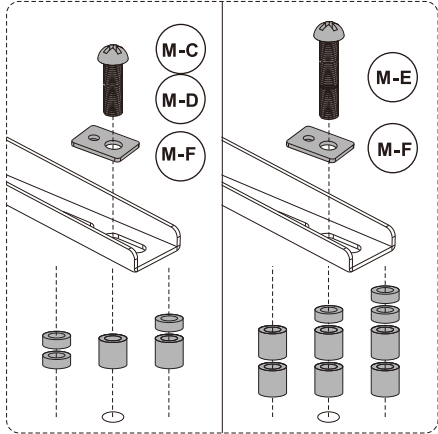
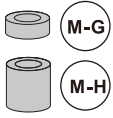
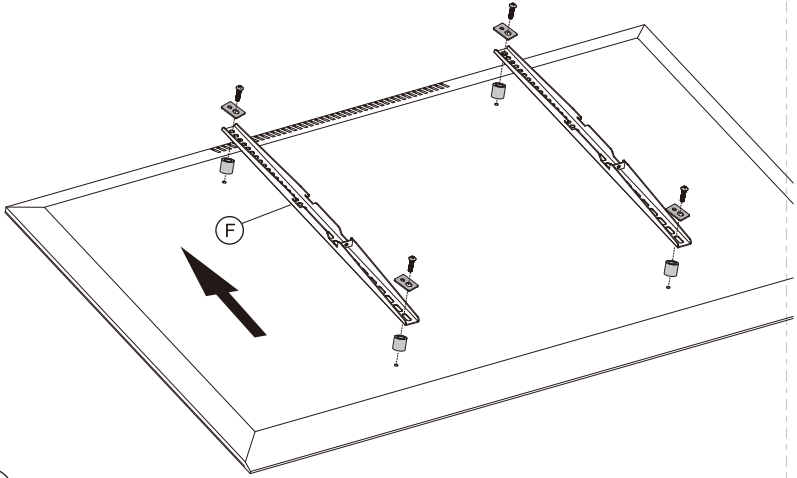
8



9

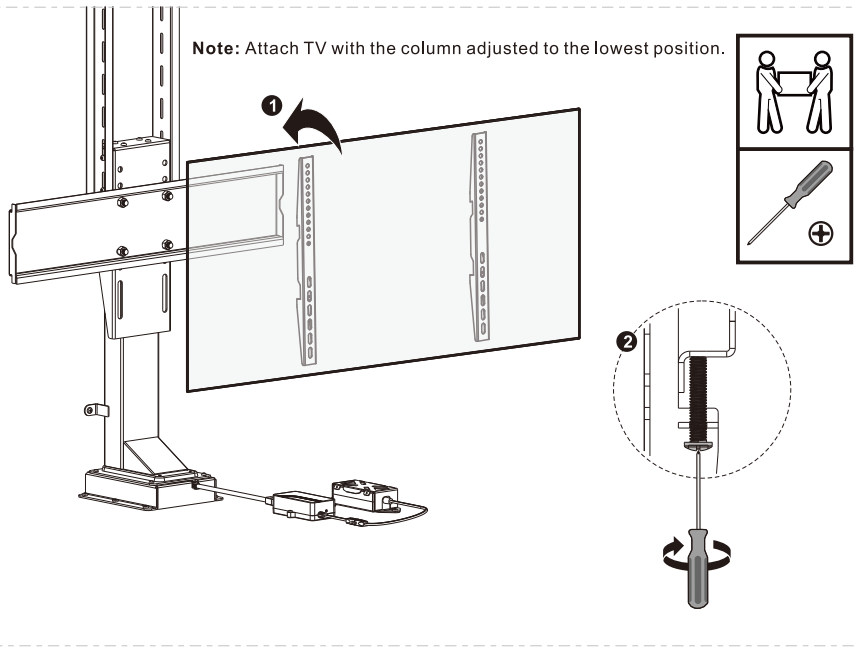




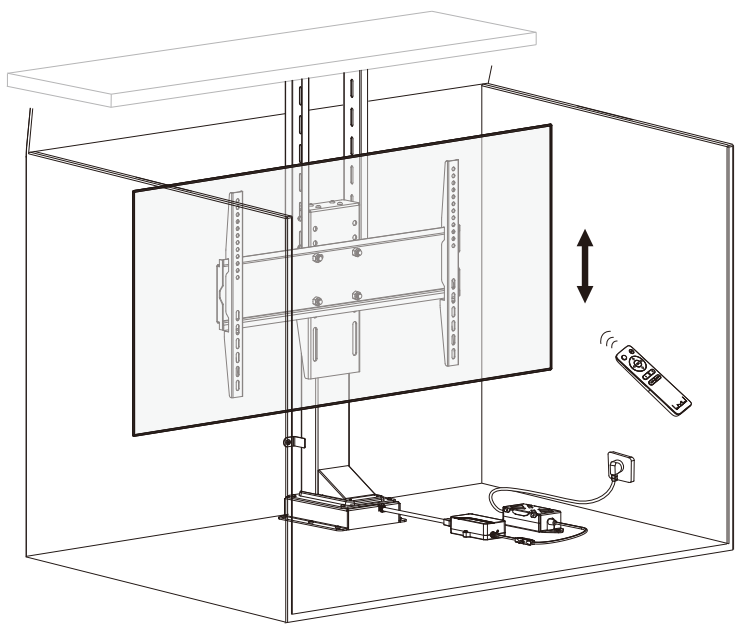


11

Note: Attach TV with the column adjusted to the lowest position.

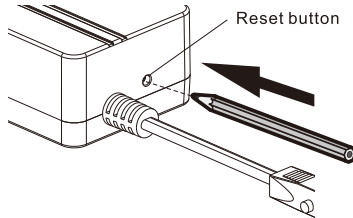


12



Remote Control Operation Instructions

A. Match the Remote Control with the Control Box

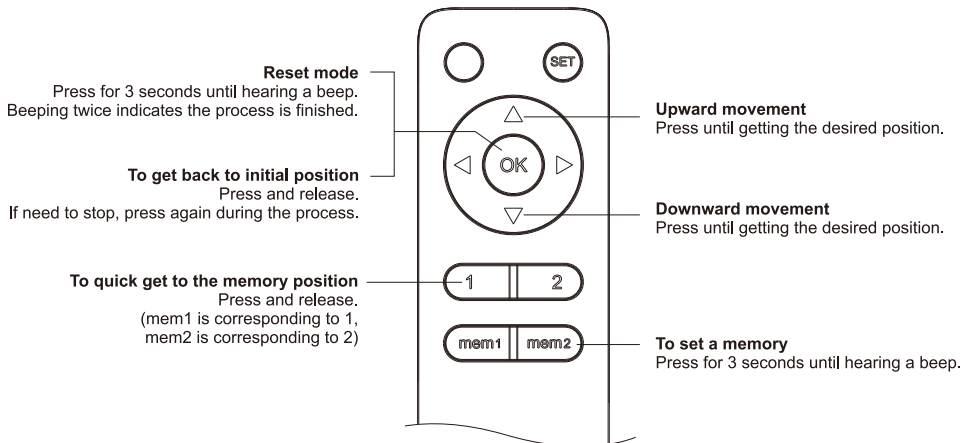


STEP1: When the motorized TV lift is powered on, press and release the button inside the control box as shown. It will beep once. After that, the remote control and the control box begin to match. (This process will take at most 10 seconds)

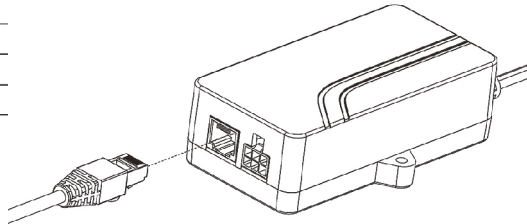
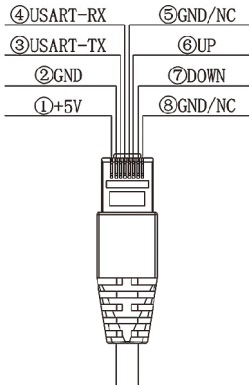
STEP2: Press and release **MEM** button on the remote control, then you will hear beeps. Wait for 10 seconds until hearing the final beep, the matching will complete and exit the program. Now, you can control your TV lift directly from the remote control.

Note: Before matching a different remote control, the previous data need to be cleared. Press the button inside the box again as shown for 10 seconds until hearing a beep.

Remote Control Overview



RJ45



RJ45 located on the AC adapter

IMPORTANT

This motorized TV lift consists of a heavy-duty mounting bracket and a powerful lifting system. Please read and completely understand this manual before installation in order to make sure the safe and correct use of the system and maintain the longevity of the overall construction and the built-in electronics.

Safety feature/ Block Overheating feature/ Wait

- The lift has a built-in safety protection function that automatically stops the movement if something blocks it or if the motor overheats.

⚠ Instructions of Safety and Warnings:

- Any Failure to Comply with the Safety and Installation Instructions in this Manual may Cause Serious Bodily Injury.
- Any Incomplete Observation of the Instructions, Warnings and Additional Information Marked with the "Note" Symbol may Result in Serious Damage to the System or its Components.
- This Product can be Used by Children Aged from 8 Years and above if They have been Given Supervision or Instruction Concerning Use of the Appliance in a Safe Way and Understand the Hazards Involved. Children shall not Play with the Appliance. Cleaning and User Maintenance shall not be Made by Children without Supervision. Unplug if doesn't use the System for long time and Place the Power Plug out of Children Reach.
- Persons with Reduced Physical, Mental Abilities and or Lack of Experience and Knowledge must not Use the Product, unless They're under Supervision, Understand the Hazards involved or they have been Thoroughly Instructed in the Use of the Apparatus by a Person who is Responsible for the Safety of these Persons.
- Users should Make Sure that They Never Lean against the TV Mounted on the Product in Order to Prevent Serious Bodily Injury.

⚠ Electrical Safety Instructions

The product is powered by electricity. In order to avoid burns, fire and electric shock, please read the instructions carefully.

- Don't clean the product while the power is still connected.
- Don't disassemble or replace components while the power is still connected.
- Never operate the system with a damaged cord or plug. Please contact your point of purchase to replace the damaged parts.
- Never operate the system if it's in a moist environment or its electrical components has contact with liquids.
- Alterations of the Given Control Unit and Remote Control aren't allowed. If either of them is missing or faulty, contact your place of purchase for a replacement.
- Outdoor use is prohibited.

⚠ Other Safety Instructions

- Clear up all obstacle within the range of motion.
- Don't leave the cords or plug unorganized in order to prevent tripping hazards.
- Any attempts to reconstruct the construction aren't allowed.
- Don't add anything to the opening of the product.

Notifications:

Please check all of the components shown in the component checklist. If any of the components are missing or damaged, contact your point of purchase for a replacement.



Disposal:

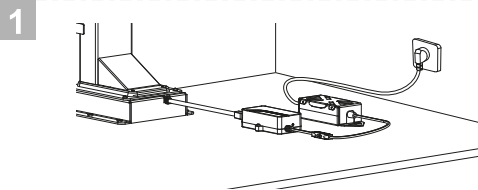
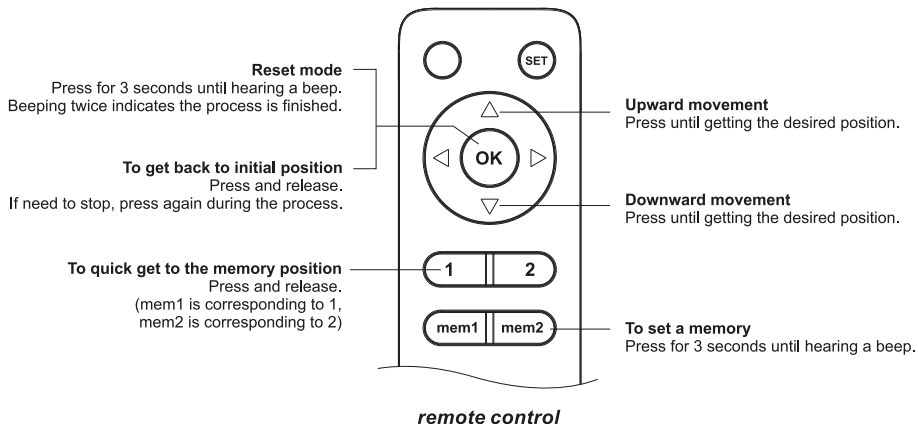
The product with this mark indicates that this product shouldn't be disposed with other household wastes throughout the EU. To prevent possible harm to the environment or human health from uncontrolled waste disposal, recycle it responsibly to promote the sustainable reuse of material resources. To return your used device, please use your local recycle service or contact your point of purchase to withdraw the product.

Factory Reset Instruction

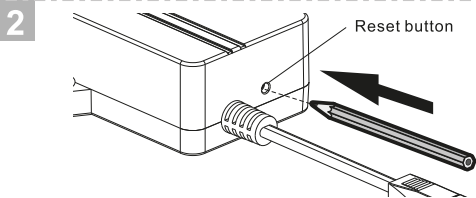


M Motorized TV Lift Large

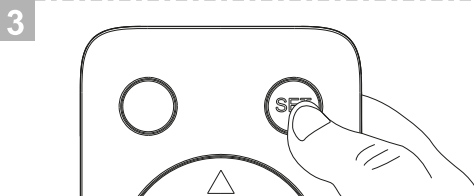
EAN: 735007373 5969



Make sure the mount is powered on.



Press and release the button inside the control box as shown. It will beep once. After that, the remote control and the control box begin to match. (This process will take at most 10 seconds)



Press and release **SET** button on the remote control, then you will hear beeps. Wait for 10 seconds until hearing the final beep, the matching will complete and exit the program. Now, you can control your TV lift directly from the remote control.



Please keep the power on during the resetting.

